

## Features

- Current transfer ratio  
(CTR: 50~600% at  $I_F = 5\text{mA}$ ,  $V_{CE} = 5\text{V}$ )
- High isolation voltage between input and output ( $V_{iso} = 5000\text{V rms}$ )

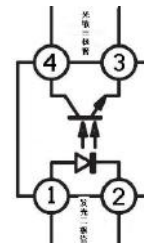
HF

## Applications

- Programmable controllers
- System appliances, measuring instruments
- Telecommunication equipments
- Home appliances, such as Fan Heaters, etc
- Signal transmission between circuits of different potentials and impedances

## Mechanical Data

- Case: DIP-4L, SOP-4L
- Molding Compound: UL Flammability Classification Rating 94V-0
- Terminals: Matte tin-plated leads; solderability-per MIL-STD-202, Method 208



## Ordering Information

Part Number	Package	Shipping Quantity	Marking Code
BL817	DIP-4L	100 pcs / Tube	BL817
BL817M	DIP-4L(leads with 0.4" spacing)	100 pcs / Tube	BL817
BL817S	SOP-4L	2000 pcs / Tape & Reel	BL817

## Maximum Ratings (@ $T_A = 25^\circ\text{C}$ unless otherwise specified)

Parameter		Symbol	Value	Unit
Input	Forward Current	$I_F$	50	mA
	Peak Forward Current <sup>*1</sup>	$I_{FM}$	1	A
	Reverse Voltage	$V_R$	6	V
	Power Dissipation	$P_D$	70	mW
Output	Collector Power Dissipation	$P_C$	150	mW
	Collector Current	$I_C$	50	mA
	Collector-Emitter Voltage	$V_{CEO}$	80	V
	Emitter-Collector Voltage	$V_{ECO}$	6	V

## Thermal Characteristics

Parameter	Symbol	Value	Unit
Total Power Dissipation	$P_{TOT}$	200	mW
Isolation Voltage <sup>*2</sup>	$V_{ISO}$	5000	V <sub>rms</sub>
Rated Impulse Isolation Voltage	$V_{IOTM}$	6000	V
Rated Repetitive Peak Isolation Voltage	$V_{IORM}$	630	V
Thermal Resistance Junction-to-Air	$R_{\theta JA}$	430	°C/W
Thermal Resistance Junction-to-Case	$R_{\theta JC}$	350	°C/W
Thermal Resistance Junction-to-Lead	$R_{\theta JL}$	368	°C/W
Operating Temperature	$T_{OPR}$	-55 ~ +110	°C
Storage Temperature Range	$T_{STG}$	-55 ~ +125	°C
Soldering Temperature <sup>*3</sup>	$T_{SOL}$	260	°C

Notes:

1. Pulse width  $\leq 1\mu s$ , Duty ratio: 0.001
2. 40 to 60% RH, AC for 1 minute
3. For 10 seconds

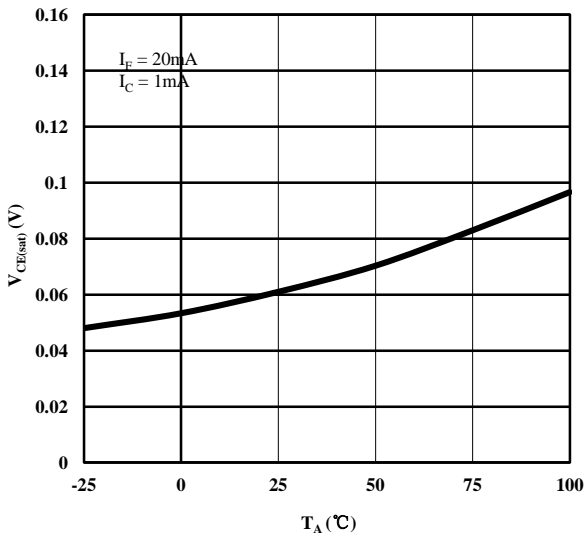
## Electrical Characteristics (@ $T_A = 25^\circ C$ unless otherwise specified)

Parameter		Symbol	Test Condition	Min.	Typ.	Max.	Unit
Input	Forward Voltage	$V_F$	$I_F = 20mA$	-	1.2	1.4	V
	Peak Forward Voltage	$V_{FM}$	$I_{FM} = 0.5A$	-	-	3.0	V
	Reverse Current	$I_R$	$V_R = 4V$	-	-	10	$\mu A$
	Input Capacitance	$C_{in}$	$V_R = 0V, f = 1kHz$	-	30	250	pF
Output	Collector-Emitter Dark Current	$I_{CEO}$	$V_{CE} = 20V, I_F = 0$	-	-	100	nA
	Collector-Emitter Breakdown Voltage	$BV_{CEO}$	$I_C = 0.1mA, I_F = 0$	80	-	-	V
	Emitter-Collector Breakdown Voltage	$BV_{ECO}$	$I_E = 10\mu A, I_F = 0$	6	-	-	V
Transfer Characteristics	Collector Current	$I_C$	$I_F = 5mA, V_{CE} = 5V$	2.5	-	30	mA
	Current Transfer Ratio	CTR	$I_F = 5mA, V_{CE} = 5V$	50	-	600	%
	Collector-Emitter Saturation Voltage	$V_{CE(sat)}$	$I_F = 20mA, I_C = 1mA$	-	0.1	0.2	V
	Isolation Resistance	$R_{IO}$	$V_{IO} = 500V_{dc}$ 40~60% R.H.	$5 \times 10^{10}$	$1 \times 10^{11}$	-	$\Omega$
	Floating Capacitance	$C_{IO}$	$V_{IO} = 0, f = 1MHz$	-	0.6	1.0	pF
	Cut-off frequency	$f_c$	$V_{CE} = 5V, I_C = 2mA$ $RL = 100\Omega, -3dB$	-	80	-	kHz
	Turn On Time	$T_{on}$	$V_{CE} = 2V, RL = 100\Omega$	-	4	18	$\mu s$
	Turn Off Time	$T_{off}$	$I_C = 2mA$	-	3	18	

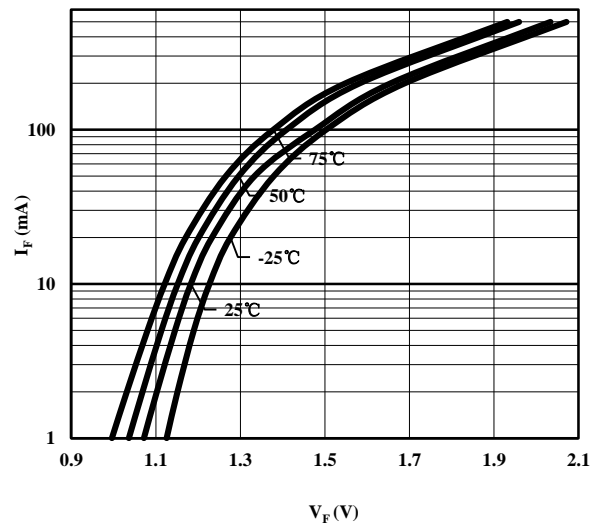
**Rank Table of Current Transfer Ratio CTR**

Rank Mark	Min. (%)	Max. (%)
L	50	100
A	80	160
B	130	260
C	200	400
D	300	600
L or A or B or C or D	50	600

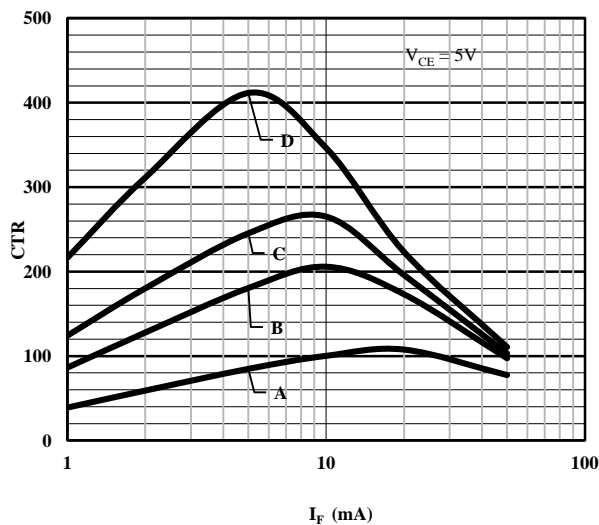
**Ratings and Characteristics Curves** (@  $T_A = 25^\circ\text{C}$  unless otherwise specified)



**Fig. 1 Collector-Emitter Saturation Voltage vs. Ambient Temperature**



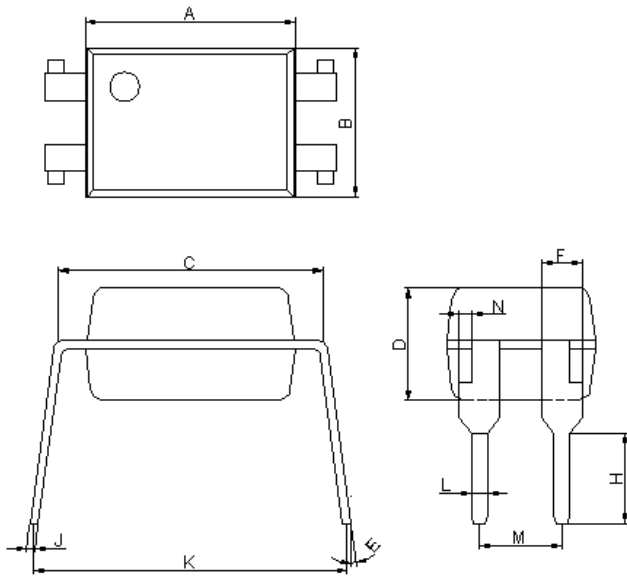
**Fig. 2 Forward Current vs. Forward Voltage**



**Fig. 3 Current Transfer Ratio vs. Forward Current**

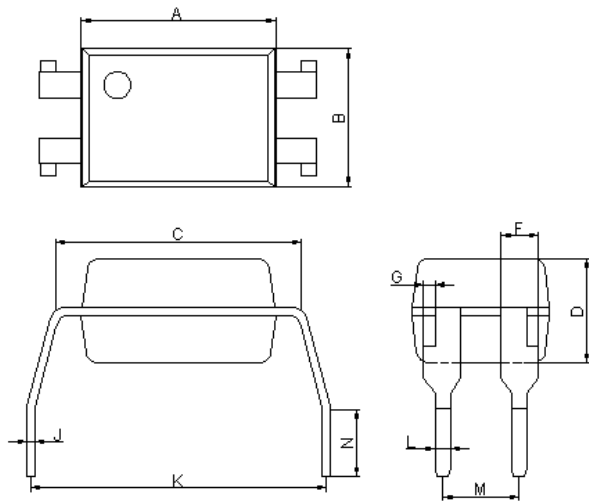
## Package Outline Dimensions (unit: mm)

### BL817



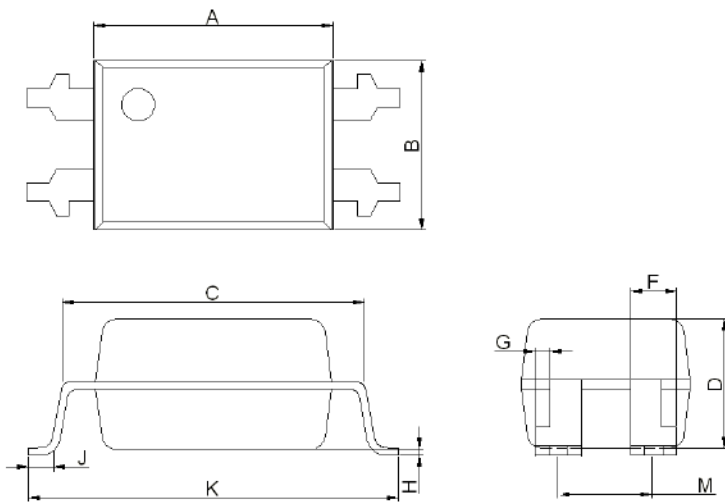
Dim	Min	Max
A	6.40	6.60
B	4.50	4.70
C	7.90	8.30
D	3.28	3.68
E	2°	8°
F	1.15	1.35
H	2.70	2.90
J	0.20	0.30
K	8.86	9.31
L	0.40	0.60
M	2.44	2.64
N	0.30	0.50

### BL817M



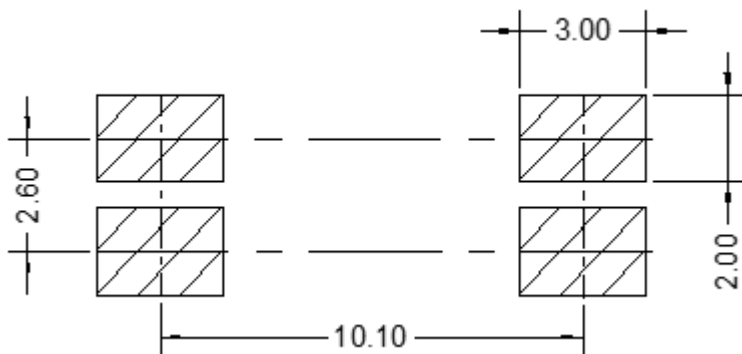
Dim	Min	Max
A	6.40	6.60
B	4.50	4.70
C	7.90	8.30
D	3.28	3.68
F	1.15	1.35
G	0.30	0.50
J	0.20	0.30
K	9.86	10.46
L	0.40	0.60
M	2.44	2.64
N	2.40	2.90

**BL817S**



Dim	Min	Max
A	6.40	6.60
B	4.50	4.70
C	7.90	8.30
D	3.28	3.68
F	1.15	1.35
G	0.30	0.50
H	0.00	0.20
J	0.9	1.2
K	9.80	10.30
M	2.49	2.69

**SOLDERING FOOTPRINT** (unit: mm)



**IMPORTANT NOTICE**

Galaxy Microelectronics (GME) reserves the right to make changes without further notice to any product herein to make corrections, modifications, improvements, or other changes. GME does not assume any liability arising out of the application or use of any product described herein; neither does it convey any license under its patent rights, nor the rights of others.