

Surface Mount SIDACTor

BW150S

Features

- High surge current capability
- Gas ignitor
- Xenon ignitors
- High voltage lcmp ignitors
- Pulse generator
- Over voltage protector

HF



Mechanical Data

- Case: SMA molded plastic

Maximum Ratings (@T_A = 25°C unless otherwise specified)

Characteristic	Symbol	BW150S	Unit
Maximum off-state voltage	V _{DRM}	120	V
Maximum RMS on-state current @T _C =100 °C	I _T	1.0	A
Maximum surge on-state current non-repetitive one cycle peak value	I _{TSM}	4.0	A
Breakover voltage @I _{BO} =0.5mA	V _{BO}	145-165	V

Thermal Characteristics

Characteristic	Symbol	BW150S	Unit
Operating temperature range	T _J	-55 ~ +125	°C
Storage temperature range	T _{STG}	-55 ~ +150	°C

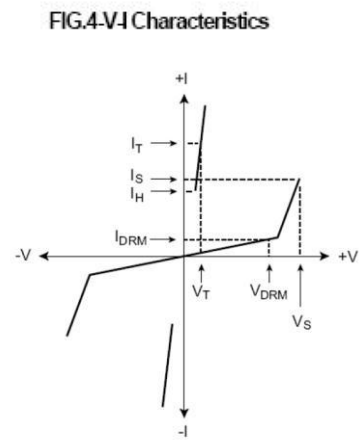
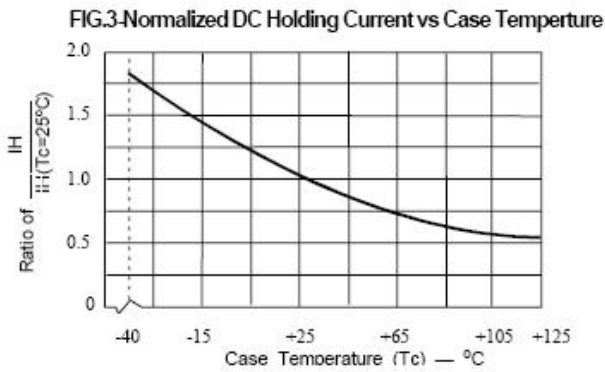
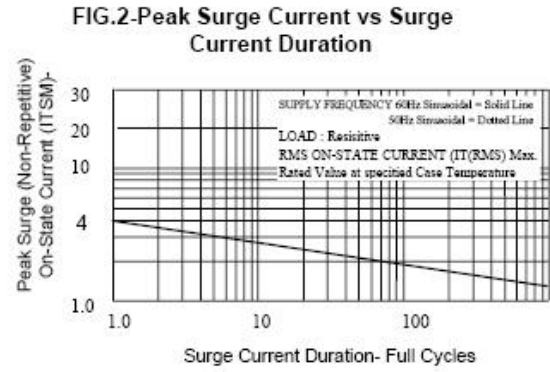
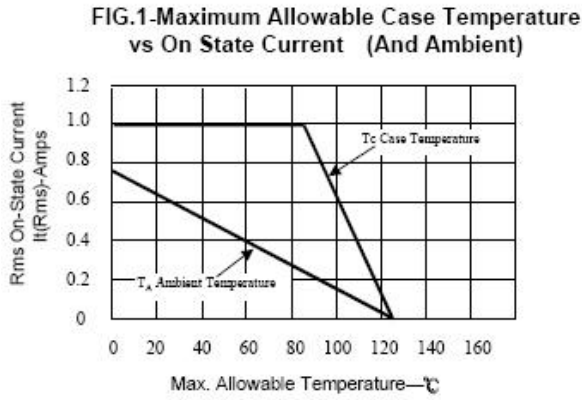
Electrical Characteristics (@T_A = 25°C unless otherwise specified)

Characteristic	Symbol	BW150S	Unit
Typical holding current	I _H	50	mA
Maximum switching resistance	R _S	0.1	Kohm
Maximum on-state voltage @I _T =1A	V _T	2.0	V
Maximum off-state current @V _{DRM}	I _{DRM}	10	uA
Maximum breakover current	I _{BO}	0.5	mA
Maximum critical rate of rise of on-state current	di _T /dt	80	Amps/μsec
Typical thermal resistance junction to lead	R _{θJL}	20	°C /W

Surface Mount SIDACTor

BW150S

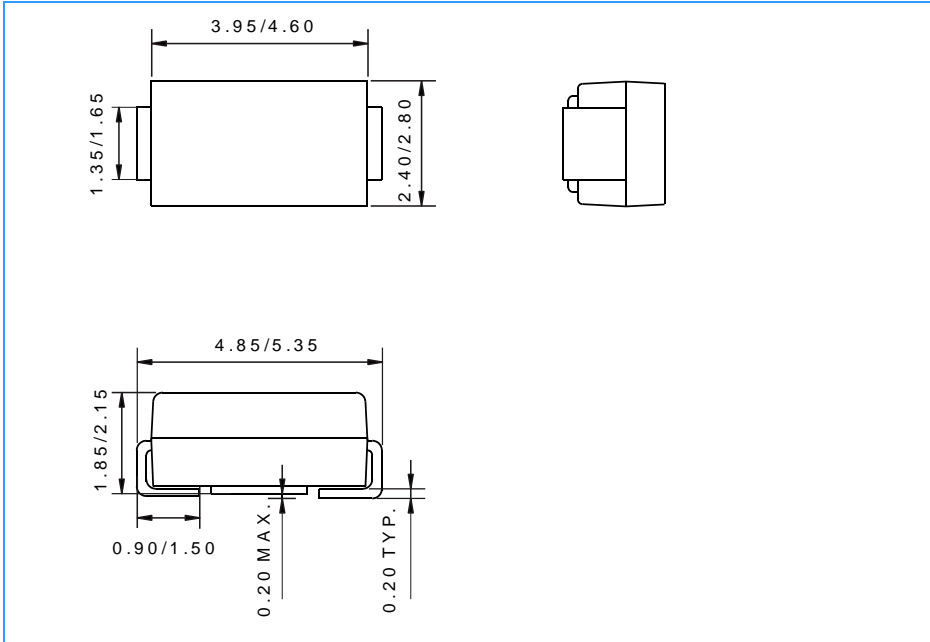
Ratings and Characteristic Curves (@ $T_A=25^\circ\text{C}$ unless otherwise noted)



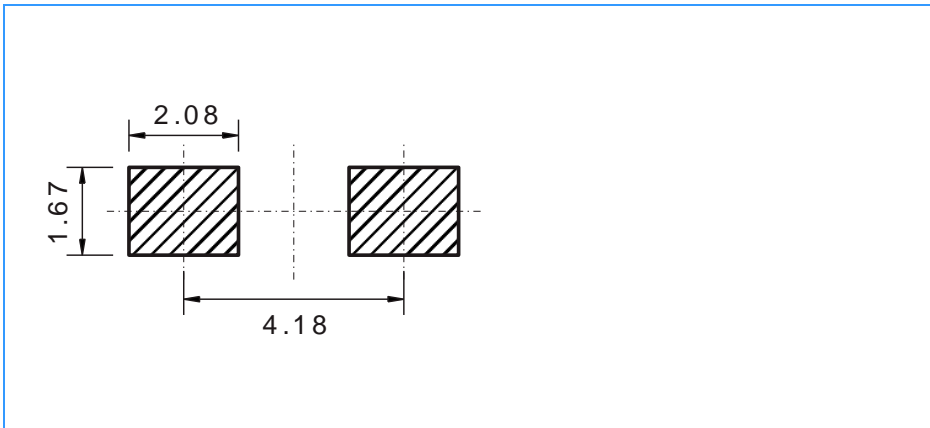
Surface Mount SIDACTor

BW150S

Package Outline Dimensions (Unit: mm)



Mounting Pad Layout (Unit: mm)



Ordering Information

Part Number	Marking	Package	Shipping Quantity
BW150S	BW150S	SMA	5000 / Tape & Reel